

Amma Stand Alone Single Spotlight

AMMA SPOT is a recessed non-maintained LED emergency downlight, which will operate at 120-130 lumens on the battery for 3 hours, providing illumination for the safe evacuation of a building.

AMMA SPOT is supplied with open area/corridor 2 lenses to meet different light distribut' requirement; and slim design with unique fold-able driver + battery housing for shallow ceiling voids. This emergency LED downlight is only 50mm in diameter making it a comp. emergency lighting solution for ceilings. A pre-wired solution as well as battery connect/disconnect switch integrated on housing for fast and efficient installation.

- Slim design with unique fold-able driver + battery housing for shallow ceiling voids
- Open area/corridor 2 lenses included and replaceable
- Battery connect/disconnect switch on housing for easy installation
- Non-maintained
- LiFePO4 battery
- 3 hour emergency duration
- 4 years warranty (2 years for battery)
- Self-test function available



Specification

Product Code:	SLLSAE
Wattage:	1W
Guarantee:	4 years - 2 Battery
Lumen Output Open Area:	120
Lumen Output Corridor:	130
IP Rating:	IP20
CRI:	>80
Weight	182g
Driver:	Seatronic
Surge Protection:	L-N 500V
Input Supply Voltage:	220 - 240V
Beam Angle:	Open area / Corridor
Battery:	LiFePO4 3.2V 1500mAh
Working Temperature:	5°C - 45°C
Colour Temperature:	6500

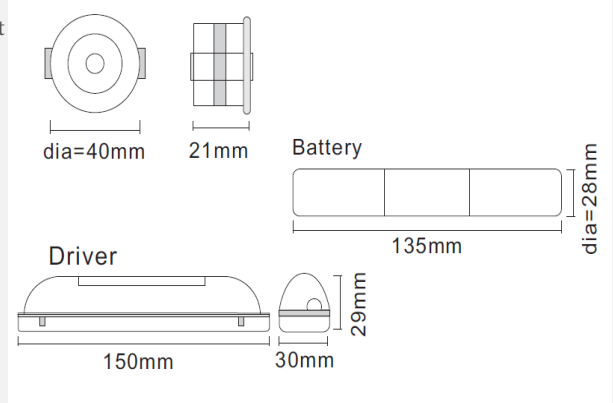
Emergency Duration:	3 Hours
LED Chip Lifetime (L70):	>36000 Hours
Power Factor:	>0.34
Running Current:	0.01A
Inrush Current:	3A
LED Forward Voltage / Current:	2.9-3.1V/700mA
Class:	Class 2
Driver output voltage/current	80mA
Method of fix:	Ceiling / Wall
Overall Dimensions:	Head Dia 50mm H: 21mm (Cutout 43-44mm) Housing L:250mm x W:36mm x H:27mm

Product

LiFePO4 3.2V 1500mAh Amma Stand Alone Single Spotlight

Suffix to Product Code

/B Black Body
/W/ST White Self-Test



LIFE . ILLUMINATED

Call today on 0151 420 6000

email sales@signatureledlighting.co.uk

For more products visit www.signatureledlighting.co.uk