

27w Centaur 2CCT LED Bulkhead

Perfect for both domestic and commercial spaces, our 22W LED Centaur Fitting is used for illuminating areas such as offices, corridors, bathrooms, and stairwells.

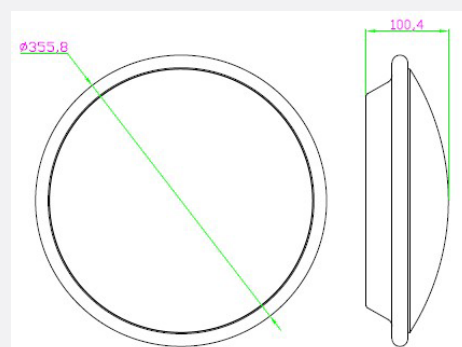
The light fitting has a white steel base and a opal ABS diffuser, which produces an even amount of light without any blackspot areas.

Our high lumen output chips are kept from view for an LED light that's both practical and stylish.



Specification

Product Codes:	SLL27CBH/CCT	Driver Type:	Tridonic 23000260 / 30W / 700mA
Wattage:	27w	Running Current:	0.115A
Guarantee:	3 years	Power Factor:	>0.9
Beam Angle:	115°	Inrush Current:	8A 40us
Lumens Per Watt:	100	Mounting Options:	Surface Mounted
IP Rating:	IP20	Emergency Version:	3 Hrs - 2 Year Warranty on Battery
IK Rating:	IK07	Overall Dimensions:	355x100mm
CRI:	80	Material:	Steel base, RAL9010 ABS diffuser, opal
SDCM:	<6	Life Time of LED:	60,000 hrs-L70
Colour Temperature:	3000K / 4000K	Class:	Class I
Lumen Output:	2750lm (3000K) / 2850lm (4000K)		
Input Voltage:	220 -240V	SLL27CBH/CCT 27w Centaur 2CCT LED Bulkhead	
LED Chips:	2835 LED x 242pcs		
Operating Temperature:	-10°C - 40°C 0	SLL27CBH/EM/CCT 27w Emergency Centaur 2CCT LED Bulkhead	
LED Forward Current:	28.6-35.2V / 700MA		



LIFE . ILLUMINATED

Call today on **0151 420 6000**

email sales@signatureledlighting.co.uk

For more products visit www.signatureledlighting.co.uk