

## 22w Centaur 2CCT LED Bulkhead

Perfect for both domestic and commercial spaces, our 22W LED Centaur Fitting is used for illuminating areas such as offices, corridors, bathrooms, and stairwells.

The light fitting has a white steel base and a opal ABS diffuser, which produces an even amount of light without any blackspot areas.

Our high lumen output chips are kept from view for an LED light that's both practical and stylish.



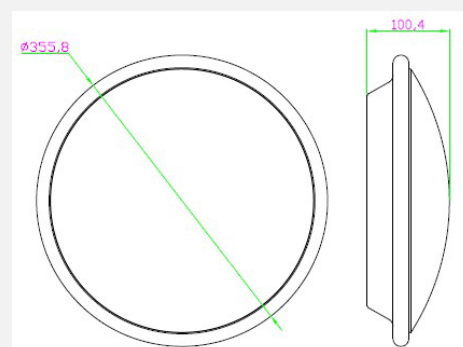
### Specification

<b>Product Codes:</b>	SLL22CBH/CCT
<b>Wattage:</b>	22w
<b>Guarantee:</b>	3 years
<b>Lumen Output:</b>	1680
<b>Lumens Per Watt:</b>	76
<b>IP Rating:</b>	IP20
<b>IK Rating:</b>	IK07
<b>CRI:</b>	80
<b>SDCM:</b>	<6
<b>Colour Temperature:</b>	3000K / 4000K
<b>Beam Angle:</b>	115°
<b>Input Voltage:</b>	220 -240V
<b>LED Chips:</b>	2835 LED
<b>Operating Temperature:</b>	-10°C - 40°C 0
<b>LED Forward Current:</b>	28.6-35.2V / 700MA

<b>Driver Type:</b>	Tridonic 87500735
<b>Running Current:</b>	0.12A
<b>Power Factor:</b>	>0.9
<b>Inrush Current:</b>	8A 80us
<b>Mounting Options:</b>	Surface Mounted
<b>Emergency Version:</b>	3 Hrs - 2 Year Warranty on Battery
<b>Overall Dimensions:</b>	355x100mm
<b>Material:</b>	Steel base, RAL9010 ABS diffuser, opal
<b>Life Time of LED:</b>	60,000 hrs-L70
<b>Class:</b>	Class I

SLL22CBH/CCT 22w Centaur 2CCT LED Bulkhead

SLL22CBH/EM/CCT 22w Emergency Centaur 2CCT LED Bulkhead



LIFE . ILLUMINATED

Call today on **0151 420 6000**

email [sales@signatureledlighting.co.uk](mailto:sales@signatureledlighting.co.uk)

For more products visit [www.signatureledlighting.co.uk](http://www.signatureledlighting.co.uk)